

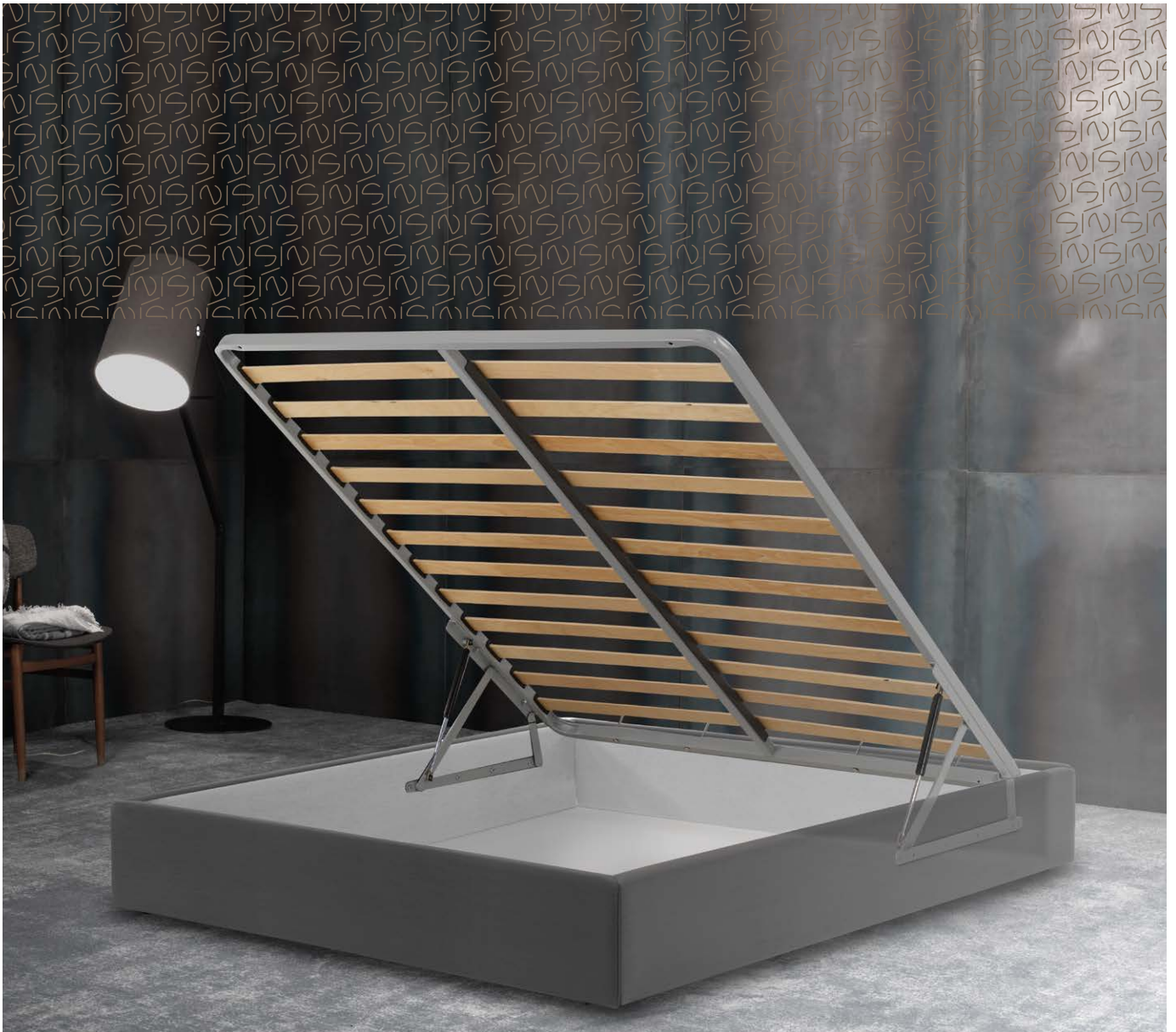


RENULO NISI

relax technology

sofabed mechanism

JUM01 | jumbo 1m



jumbo 1m

With a single movement,
discover all the space you need.



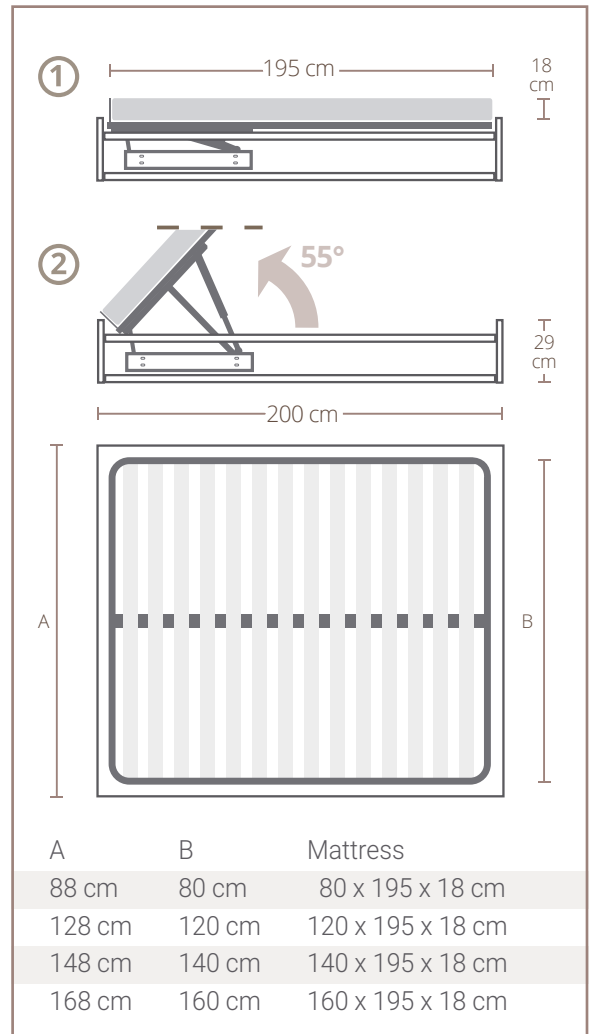
sofabed mechanism
JUM01 | jumbo 1m



Bed mechanism with lifting appliances and orthopaedic slats in beech, with a single central crossbar.

The structure has made of high-strength metal bars, powder painted. **This bed mechanism has a lifting system that, through the gas springs, allows an opening with a single movement, a compass rotation, placing the bed surface 55° inclined from the floor.**

The dimensions of mechanism are minimum, and **the underlying storage compartment will be better accessible and capacious**, for a very good result of comfort and praticability.



Customer Care [+39]
0543 700193
commerciale@renatonisi.com

All trademarks are registered by their respective owners. Renato Nisi is a registered trademark of Renato Nisi S.r.l. For the constant desire to improve our products and services or for variations due to manufacturing reasons, the specifications are subject to change without notice. The images are for presentation purposes and may not represent the chosen configuration. We accept no responsibility for typographical errors. For contacts or further informations on the Renato Nisi solutions contact the Customer Care office or visit the website: renatonisi.com