



RENOLLO NISI

relax technology

sofabed mechanism

NEWT01 | new taormina



new taormina

Our orthopaedic bed:
essential support for your life.



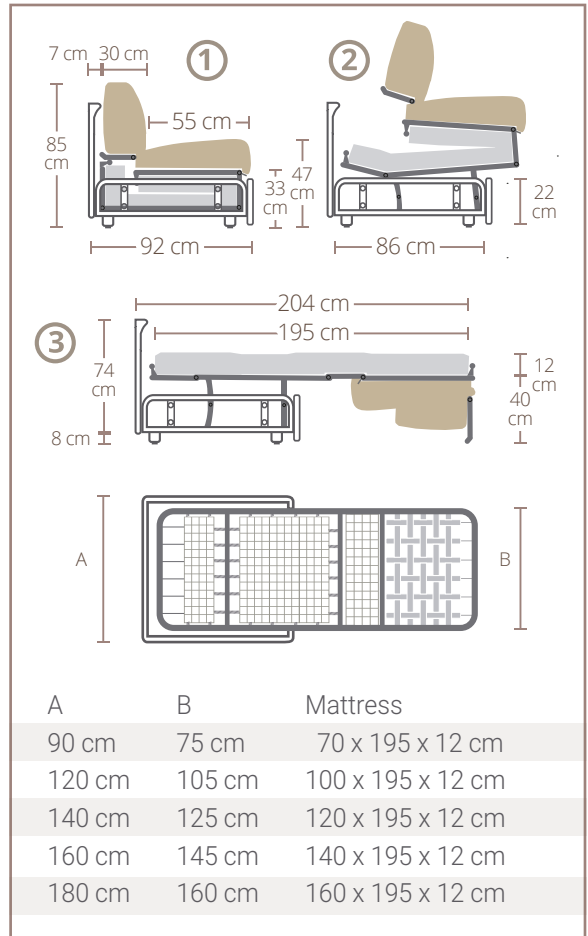
sofabed mechanism
NEWT01 | new taormina



Automatic sofa bed mechanism.

Two-folding orthopaedic bed with electrowelded panels. **The frame is made of high resistance steel.** In furnace painted. Powder paint.

With a depth of 86 cm. Positioning of the base frame from the ground: 8 cm. With spring mattress 12 cm thick.



VARIANTS mechanism with bayonets welding back supporting cushions
back composed of a whole piece stirrups fixing frontal table



CATAS[®] certified 5000 opening cycles



Customer Care [+39]
0543 700193
commerciale@renatonisi.com

All trademarks are registered by their respective owners. Renato Nisi is a registered trademark of Renato Nisi S.r.l. For the constant desire to improve our products and services or for variations due to manufacturing reasons, the specifications are subject to change without notice. The images are for presentation purposes and may not represent the chosen configuration. We accept no responsibility for typographical errors. For contacts or further informations on the Renato Nisi solutions contact the Customer Care office or visit the website: renatonisi.com